

The Anatomy of a Hannay Hose Reel

1 Bearings

Weight of spool and hose is supported by bearings.

1a Back bearing

1b Front bearing

2 Disc

Rolled edges prevent hose damage and add rigidity to disc. Additional strength is provided by a concentric rib.

3 Drum

Roll formed steel with full-length weld.

4 Tie rods

Join discs and drum to form spool. Reinforced with pipe spacers for rigidity and strength.

5 Chain and sprocket drive

Provides smooth positive rewinding on powered reels.

6 Rewind motor

Electric rewind motor is shown. Compressed air or hydraulic motors can be used.

6a Electric Junction Box

7 Hub assembly

Includes the fluid hub, the outlet riser and the reel axle. Fluid passes from the swivel joint inlet through the hub assembly, to the hose.

7a Outlet riser

Contoured to match the curve of the reel drum so hose will wrap smoothly.

7b Fluid hub

Permits reel to rotate freely while connected to the fluid source. Joint is not used as a bearing. Straight or 90-degree swivel joints are available for most models. (Flexible connector must be used between swivel joint and inlet piping or warranty will be void.)

9 Brake/Rewind Assembly

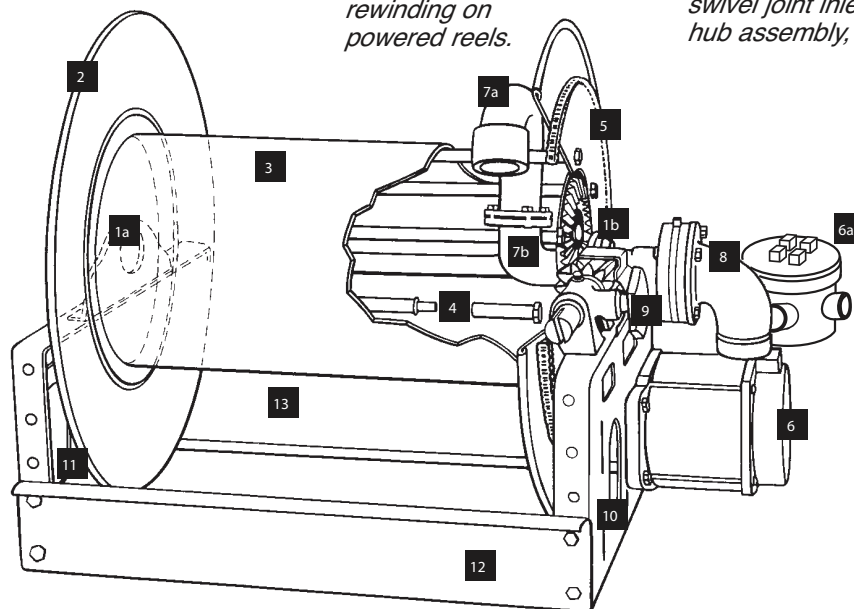
Bevel gear rewind has an adjustable tension brake. Rewind and braking devices vary with different models.

10 Front frame

11 Back frame

12 Front foot

13 Back foot



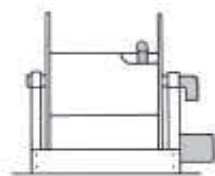
This cutaway illustration shows a typical power rewind reel with an optional auxiliary crank rewind mechanism. All Hannay Reels are assembled from combinations of the basic components shown here. Since components are taken from a large inventory, each reel is assembled to the buyer's particular requirements.

Specifying Location of Components

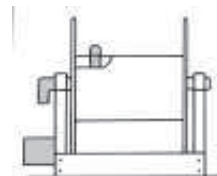
Optional Location of Components:

Location of the inlet, outlet riser and rewind mechanism can be varied to meet your requirements and must be specified on your order. The drawings

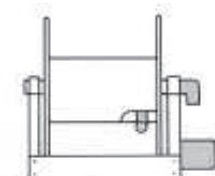
below show the component locations. Unless otherwise specified, most reels will be shipped as Right Top Rewind with the inlet, outlet riser and rewind mechanism on the operator's right



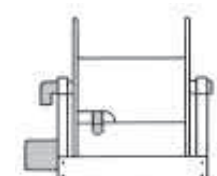
Right Top Rewind (RT) reels have the inlet, outlet riser and rewind mechanism on the operator's right. Hose unwinds from the top of the reel.



Left Top Rewind (LT) reels have the inlet, outlet riser and rewind mechanism on the operator's left. Hose unwinds from the top of the reel.



Right Bottom Rewind (RB) reels have the inlet, outlet riser and rewind mechanism on the operator's right. Hose unwinds from the bottom of the reel.

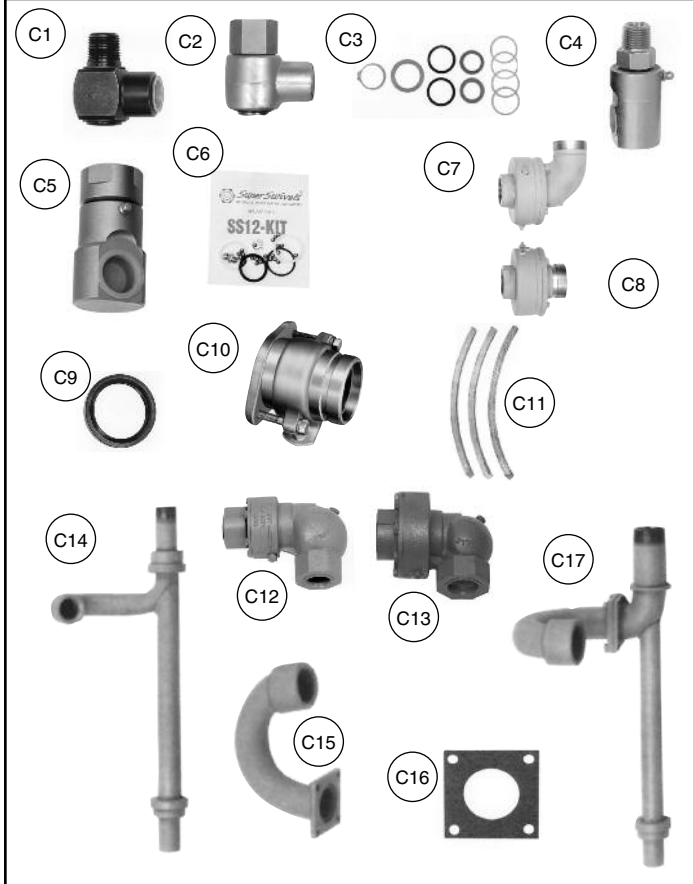


Left Bottom Rewind (LB) reels have the inlet, outlet riser and rewind mechanism on the operator's left. Hose unwinds from the bottom of the reel.

Note: Use position initials as suffix after model number, ie: EF32-23-24-RT

Note: Consult factory when ordering a Vapor Recovery spring reel with top-wind (RT) position

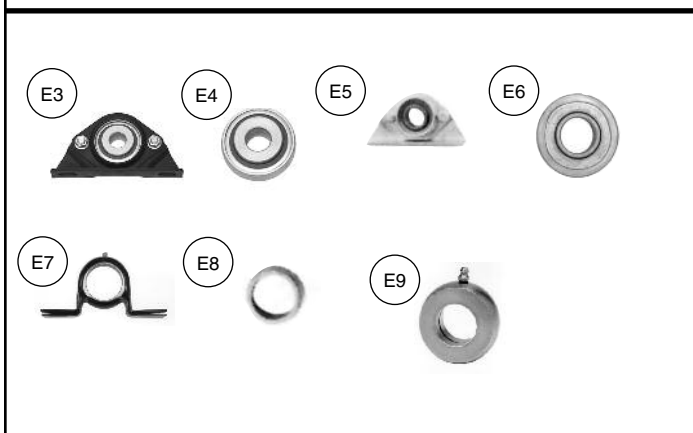
SWIVEL JOINTS, RISERS, HUB ASSEMBLIES



ITEM NO.	HANNAY PART NO.	GEC PART NO.	DESCRIPTION
C1*	9927.8138		1/2" 90° MxF BP Super Swivel
C2*	9929.2588		1" 90° FxF Barco Swivel
C3	Specify		Barco Repair Kit (Specify Size)
C4*	9927.8551		1/2" 90° FxF Super Swivel (MxF also Avail., 9927.8151)
C5	9929.8551		1" 90° FxF Super Swivel
C6*	Specify		Super Swivel Repair Kit (Specify Size)
C7*	9930.4210		1-1/2" 90° FxFxV Swivel (WHJ15190)
C8*	9930.4610		1-1/2" Straight FxFxV Swivel (WHJ15180)
C9*	9936.0642	HR-PK-1	1-1/2" PK-1 BUNA-N Packing (Merkel)
C10*	9930.5703		1-1/2" Straight Victaulic H-5 Joint
C11*	9936.0659		H-5C Rope Packing Seal for H-5 Joint
C12	9929.0501	SMAC-190	1" 90° Full Circle Swivel
C13	9930.0531	SMAC-112	1-1/2" 90° FxF Full-Circle Swivel
C14	9901.1600		1" FIPT Iron Welded Hub Assembly (Specify Model)
C15	9901.3760		1-1/2" FIPT Iron Flanged Riser
C16	9965.0021	HR-H-150G	H-150G Gasket for 1-1/2" Riser
C17	9901.3240		1-1/2" Hub Assy Complete (Specify Model)
Not Shown	9936.0530	HR-L131K	1" Chicksan Packing Unit
Not Shown	9936.0630	HR-1531K	1-1/2" Chicksan Packing Unit
Not Shown	9936.0730	HR-L231K	2" Chicksan Packing Unit

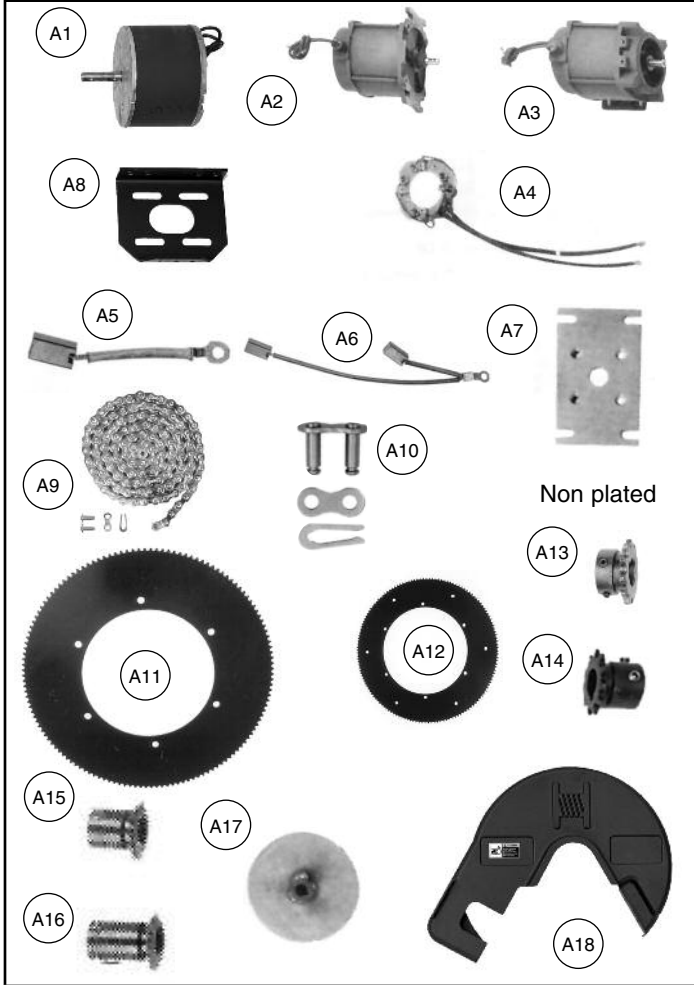
* For Industrial use, not LPG.

BEARINGS



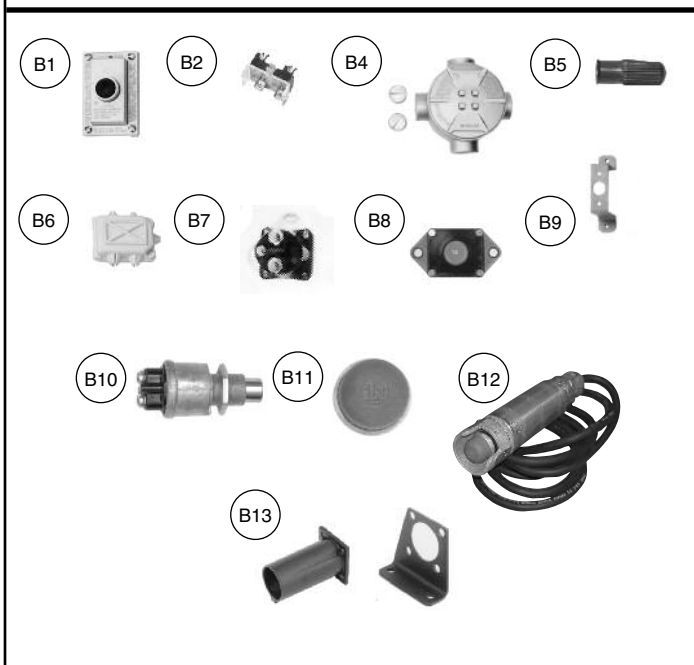
ITEM NO.	HANNAY PART NO.	GEC PART NO.	DESCRIPTION
E3	9902.1200		1/2" S.A. Ball Bearing Complete
E4	9902.1300		1/2" S.A. Ball Bearing Insert
E5	9902.1400	HR-SAHBA-1	1" S.A. Ball Bearing Complete
E6	9902.1500	HR-H100-Insert	1" S.A. Ball Bearing Insert
Not Shown	9902.1630	HR-H-41B	1" S.A. Bronze Bearing Complete (E-coated)
E7	9902.1610	HR-SAHBA-1-1/2	1-1/2" S.A. Bronze Bearing Complete (E-coated)
Not Shown	9902.1620		1-1/2" S.A. Bronze Bearing Complete (304 S.S.)
E8	9902.1700	HR-H112-Insert	1-1/2" S.A. Bronze Bearing Insert
E9	9902.1730		1" S.A. Bronze Bearing insert

MOTORS, SPROCKETS, CHAIN



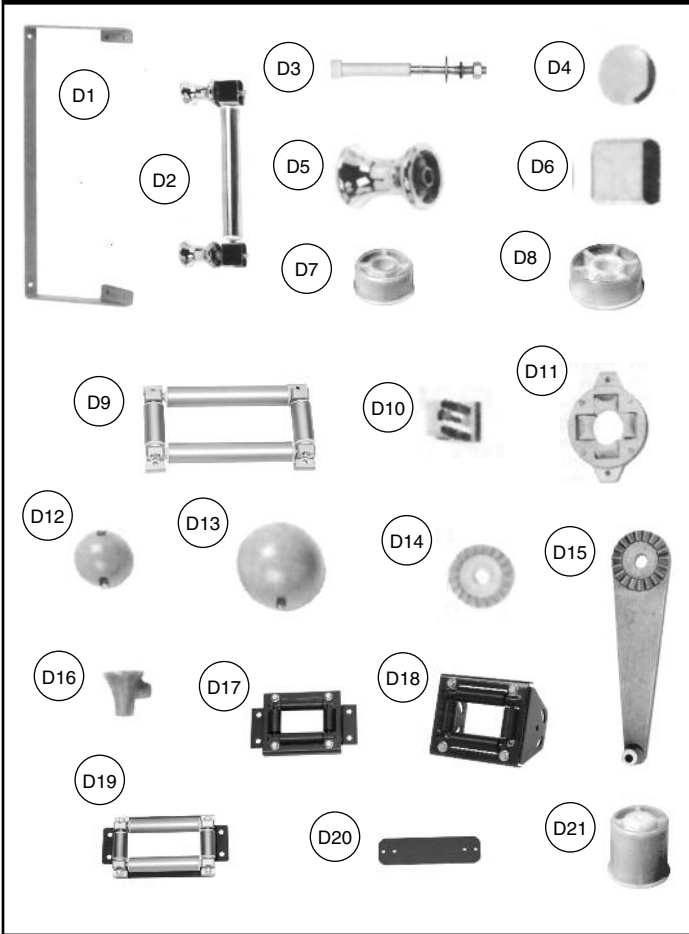
ITEM NO.	HANNAY PART NO.	GEC PART NO.	DESCRIPTION
A1	9915.0042		12 Volt Flange Mount Non-Exp-Proof Motor
A2	9915.0003	HR-12VFMT	12 Volt Flange Mount 1/2 HP Explosion-Proof Motor
A2	9915.0009	HR-12VFMT-40	12 Volt Flange Mount 2/3 HP Exp-Proof Motor
A3	9915.0013	HR-12VBMT	12 Volt Base Mount Explosion-Proof Motor
A4	9916.0013		Brush Board Assembly (w/springs and brushes) for 12 Volt 1/2 HP Motor
A5	9916.0071		Pair of Brushes for 12 Volt Non-Exp-Proof Motor (#572008)
A6	9916.0070	HR-57200	Two Pairs of Brushes for 12 Volt Explosion Proof Motor (#572000)
A7	9923.0008		Flange Mount Motor Plate for Non-Exp-Proof Motor
A8	9923.0006		P66A-00090 Motor Mounting Plate Right Angle for Non-Exp-Proof Motor
A9	9912.0001	HR-35C10	10' Length #35 Chain w/Connecting Link
A9	9912.0002	HR-40C10	10' Length #40 Chain w/Connecting Link
A10	9912.0010	HR-CL35	Connecting Link for #35 Chain
A10	9912.0009		Connecting Link for #40 Chain
A11	9910.1423	HR-138T35	138T35 Disc Sprocket, 16-5/8" Diameter (E-Coated)
A12	9910.3128		146T40 Disc Sprocket, 23-1/2" Diameter (E-Coated)
Not Shown	9910.1011	HR-9T35	9T35 Motor Sprocket
A13	9910.1116		11T35 Motor Sprocket, 3/4" Long
A14	9910.1117		11T35 Motor Sprocket, 1-1/16" Long
A15	9910.1118	HR-11T35	11T35 Motor Sprocket, 1-5/16" Long
A15	9910.0917	HR-9T40	9T40 Motor Sprocket, 1-5/16" Long
A16	9910.1119	HR-11T35X1-3/4	11T35 Motor Sprocket, 1-3/4" Long
A16	9910.0919		9T40 Motor Sprocket, 1-3/4" Long
A17	9910.2219		Disc & Sprocket for Caliper Brake (#35 Chain)
Not Shown	9910.2100		Disc & Sprocket for Caliper Brake (#40 Chain)
A18	Specify		Molded Chain Guard

SWITCHES AND ELECTRICAL



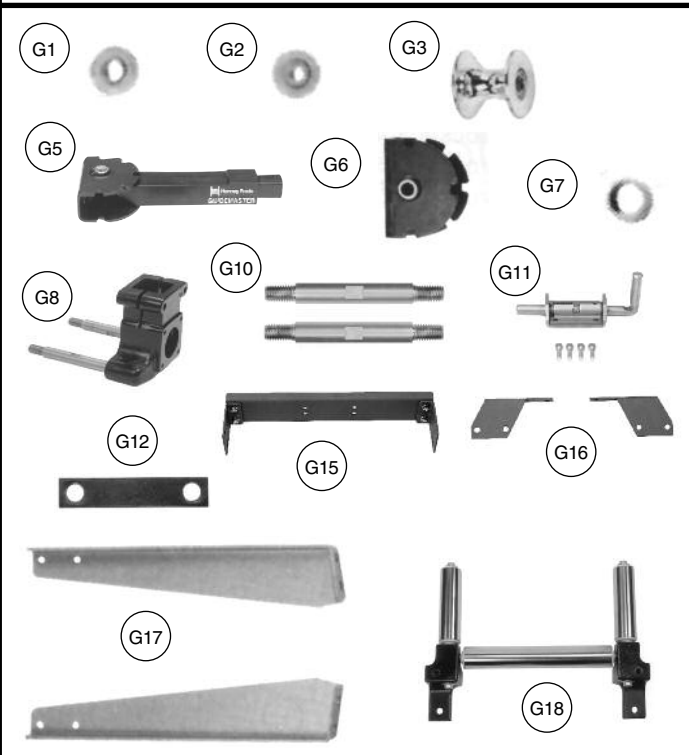
ITEM NO.	HANNAY PART NO.	GEC PART NO.	DESCRIPTION
B1	9917.0001	HR-EXPB-2A	Red Dot EXPD-2a Switch (12 Volt)
B2	9917.0014	HR-800T-XDI	Red Dot Internal Switch
B4	9917.0061	HR-JBC	Red Dot 5-Port Round Junction Box/Cover
B5	9917.0062		#6 Wire Nut (For Red Dot Junction Box)
B6	9917.0063		Insulated "Bug" Connector
B7	9917.0025	HR-DR1466	12 Volt Solenoid (Diode-Suppressed)
B8	9917.0021	HR-CDLM-50	50 Amp Circuit Breaker
B8	9917.0022	HR-CDLM-70	70 Amp Circuit Breaker
B9	9917.0024	HR-CB-2	CB-2 Mounting Bracket (for Circuit Breaker)
B10	9917.0006	HR-90030	Push-Button 12 Volt Switch (Less Cap)
B11	9917.0008	HR-83280	Rubber Cap (For Push Button Switch)
B12	9917.0200	HR-EPS-1	EPS-1 Switch (Used with Guidemaster)
B13		HR-EPS-1BRKT	Kit - Bracket for Guidemaster and Extension Bracket

ROLLER ASSEMBLIES, CABLE GUIDES, HOSE STOPS



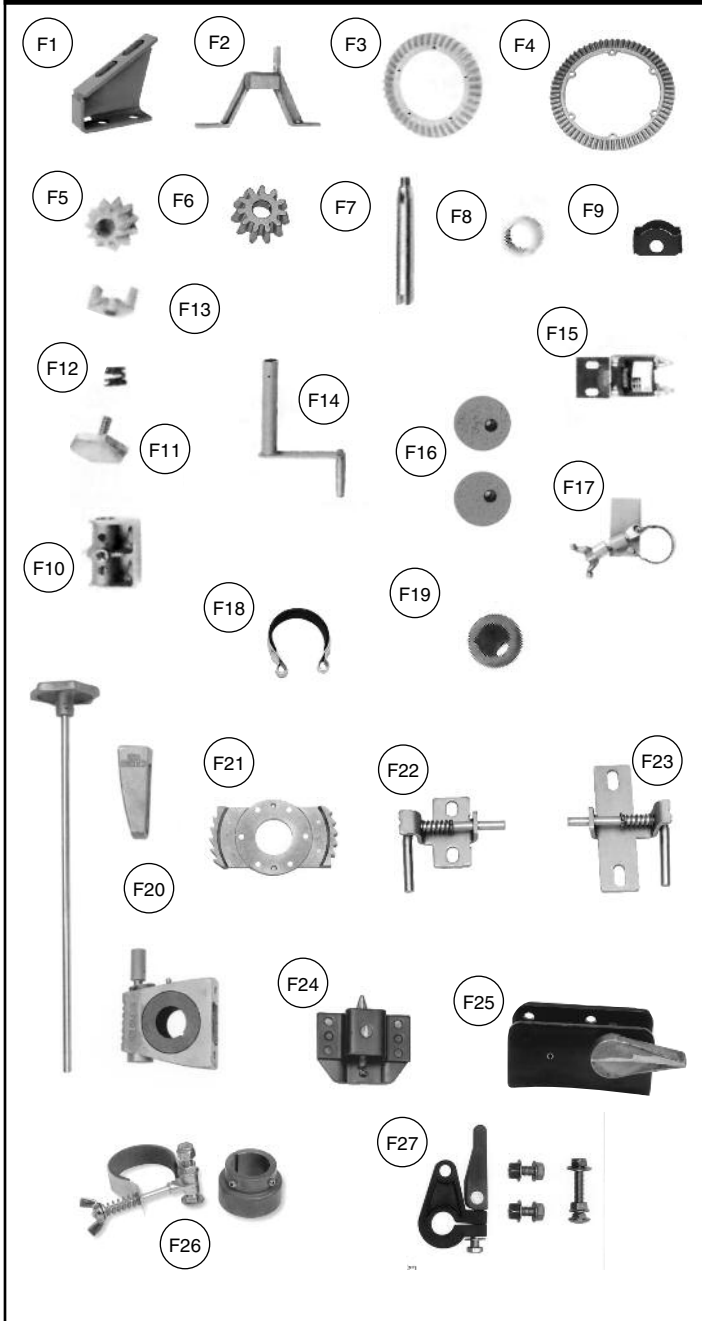
ITEM NO.	HANNAY PART NO.	GEC PART NO.	DESCRIPTION
D1	Specify		Top Wind FH-3 Mtg. Brkt. (Specify Model)
D2	9939.0042		FH-3 Roller & Spool Assy. (Specify Model)
D3	9940.0012		FH-307 Delrin-Over-Steel Step Bolt
D4	9940.0004		FH-309 Chrome Snap Cap
D5	9940.0005		FH-301 Spool
D6	9940.0006		FH-302 Block
D7	9940.0007		FH-303-15 (1.5") Trunnion Bearing
D8	9940.0008	HR-FH-303-2	FH-303-2 (2") Trunnion Bearing
D9	9939.0062		Utility Hose Roller Assy. "C" (Spec. Model)
D10	9940.0076	HR-EH650	EH-650 Mounting Block (Plated)
D11	9939.0003		EH-714 Roller Assembly
D12	9922.0011		HS-3 Hose Stop (Specify OD of Hose)
D13	9922.0012		HS-45 Hose Stop (Specify OD of Hose)
D14	9951.0009		GR-4A Guide Arm Positioner
D15	9951.0010		GR-4 Guide Arm
D16	9951.0012		GR-5 Scoop Cable Guide
D17	Specify		"R200" Series Roller Assembly
D18	Specify		"N200" Series Roller Assembly
D19	Specify		"R300" Series Roller Assembly
D20	Specify		Roller Mounting Arm (2) per reel (For "N" Series Spring Reels)
D21	9940.0016		FH-303 1 1/2" Trunnion Bearing (New Style) (No Through Hole)

GUIDEMASTER PARTS AND BRACKETS



ITEM NO.	HANNAY PART NO.	GEC PART NO.	DESCRIPTION
G1	9945.0026		GM Ball Bearing (For GM Roller)
G2	9945.0044		GM-108 Ball Bearing (For GM-109 Roller)
G3	9945.0019	HR-GM609	GM Roller w/GM Bearing
G5	9944.0040		GM-700 Guide Arm Body Assy w/Mtg. Yoke
G6	9945.0009		GM Mounting Yoke w/Bronze Bushing
G7	9945.0011	HR-GM616	GM Oil-Impregnated Bronze Bushing
G8	9945.1001	HR-610A	GM Roller Body w/Mtg. Bolts
G10	9945.1005		GM Roller Mtg. Bolts
G11	9945.1003		Pinlock assy for GM 700
G12	9945.1004		GM Roller Bolt Mounting Plate
G15	9945.0035		GM Cross Member Assembly (3 Pieces) (Specify Model)
G16	9945.0036		GM Bottom-Wind Brackets (Pair)
G17	9945.0037		GM Top-Wind Brackets (Pair)
G18	9939.0069		Assy. "B" Roller for Bottom-Wind Guidemaster Reels (specify model)

REWIND ASSEMBLIES, BRAKES, RATCHETS



ITEM NO.	HANNAY PART NO.	GEC PART NO.	DESCRIPTION
F1	Specify		30" Rewind Bracket (specify right or left)
F2	9914.0233		Vertical Rewind Bracket Only
F3	9914.0372	HR-H-26	H-26 Ring Gear
F4	9914.0382		H-28 Ring Gear
F5	9914.0393	HR-H-27	H-27 Pinion Gear
F6	9914.0403		H-29 Pinion Gear
F7	Spec. Model		Pinion Shaft
F8	9914.0351		Pinion Shaft Collar
F9	9914.0618		Pinion Gear Guard (E-Coated)
F10	9914.0243		H-2A Pinion Shaft Bearing
F11	9914.0413		H-30A Brake Wheel
F12	9914.0451		H-31 Brake Spring
F13	9914.0433		H-3 Brake Pad
F14	9914.0011		H-18 Hand Crank
F15	9947.0020		Air Caliper Brake
Not Shown	9947.0001		Manual Caliper Brake
F16	9947.0024		Pair of Brake Pads (For Air Caliper Brake)
F18	9947.0036		Comet Brake Strap Only (IV Style)
F19	9947.0038		Comet Brake Iron Hub (IV Style)
F20	9947.0045		EH-820 Bearing & Brake Assembly
F21	9922.0015		Ratchet Wheel (new 2 position)
F22	9965.0030		PL-1 Pinlock
F23	9965.0036		PL-4 Pinlock with Extended Mounting Ears
F24	9922.0029		Ratchet Locking Assembly (for N-Series Spring Reels)
F25	Spec. Model		Ratchet Locking Assembly (for Regular Frame Spring Reels)
F26	9947.0090		Comet Brake Assembly (Bearing Mounted Style)
Not Shown	9947.0043		Comet Brake Assembly (Bearing Mounted Style with Stub Shaft)
F27	9947.0130		Cam Lever Drag Brake Kit (including mounting hardware)

Full Circle Swivels

FULL-CIRCLE offers a complete line of swivel connectors designed for use with thin to viscous liquids and liquefied gases. Straight-through hose end swivels allow the filler valve to rotate 360-degrees. This enables the driver to make tank connections without fighting the hose. It also prevents hose twisting upon reel-up. For bulk-head use, the 90-degree swivel allows for use of a shorter transfer hose and enables the operator to safely sweep the hose to one side for proper, out of the way stowage. The design is ideally suited for hose reel use as the sealed high load ball bearing can tolerate misalignment problems that could cause product leakage in other swivel types. The tri-directional movement of the three-piece seal package continually compensates for eccentric movement. The ZERO maintenance design is of critical importance, especially for loading/unloading arms that must be constructed high in the air for railroad tankcar transfer operations.

SAFETY FIRST

All swivels produced by FULL-CIRCLE for LP-GAS, Ammonia and Flammable liquids are Listed by the Underwriters Laboratories and are designed and tested in accordance with the U.L.-567 Standard, your assurance that the product has been tested to a Standard of Safety.

NO MAINTENANCE DESIGN

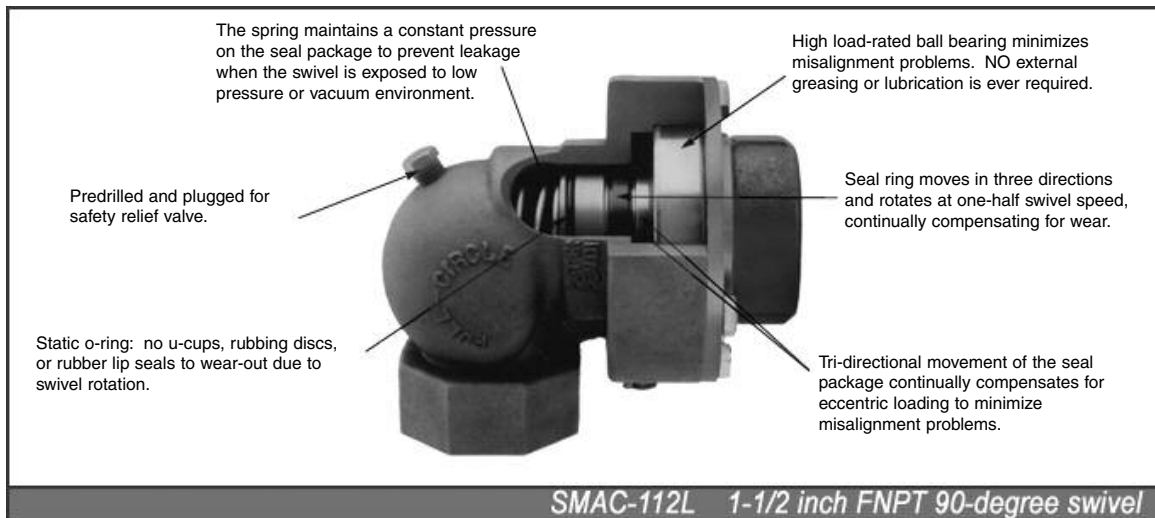
All FULL-CIRCLE swivels utilize a sealed high load ball bearing. No greasing or lubrication is ever required.

For maximum corrosion resistance where the swivel may be exposed to moisture laden air, specify the CR option by adding the letter CR after the model number. Loading arm swivel combinations include the CR option.

Hose Swivels for Hose-end Filler Valve Type

Size and Description	Swivel		Repair Kit	
	LPG	NH3	LPG	NH3
1" MNPT x 1" FNPT	JO-1L	JO-1N	JO-1-LSK	JO-1NSK
3/4" MNPT x 3/4" FNPT	JO-34L	JO-34N	JO-34LSK	JO-34NSK

For LP Gas applications only



Hose Swivels for Hose Reel, Bulkhead and Loading Arm Applications

Size and Description	Swivel		Repair Kit	
	LPG	NH3	LPG	NH3
1" FNPT x 1" FNPT Swivel Elbow	SMAC-190L	SMAC-190N	SMAC-190LSK	SMAC-190NSK
1 1/4" FNPT x 1 1/2" FNPT Swivel Elbow	SMAC-114L	SMAC-114N	SMAC-114LSK	SMAC-114NSK
1 1/4" FNPT x 1 1/4" FNPT Straight Swivel	SMAC-114STL	SMAC-114STN	SMAC-114STLSK	SMAC-114STNSK
1 1/2" FNPT x 1 1/2" FNPT Swivel Elbow	SMAC-112L	SMAC-112N	SMAC-112LSK	SMAC-112NSK
1 1/2" FNPT x 1 1/2" FNPT Straight Swivel	SMAC-112STL	SMAC-112STN	SMAC-112STLSK	SMAC-112STNSK
2" FNPT x 2" FNPT Swivel Elbow	SMAC-200L	SMAC-200N	SMAC-200LSK	SMAC-200NSK
2" FNPT x 2" FNPT Straight Swivel	SMAC-200STL	SMAC-200STN	SMAC-200STLSK	SMAC-200STNSK



Repair kits include:

- Rotating female end
- Ball bearing, Seal ring
- Stationary seal, Eight bolt flange