

IMPORTANT INFORMATION: Product must be installed and used in strict conformance with NFPA Pamphlet 58 and/or NFPA Pamphlet 54 and all other codes, regulations and manufacturer recommendations.

Failure to follow these codes, regulations and recommendations could result in hazardous installation, bodily injury and/or death.

PRODUCT TRAINING SCHOOLS AVAILABLE. Contact a GEC customer service representative for more information.

WARNING: LP Gas is extremely flammable and explosive. Devices used for handling LP Gas and Anhydrous Ammonia must be installed and used in strict conformance with NFPA pamphlet 58 and 54 and all other codes, regulations and manufacturer recommendations.

Steel Fork Lift Truck Cylinders

Standard cylinder fitted with liquid service valve, relief valve, float gauge, 20% outage valve. Filler valve and safety coupling installed.

Part #	Size	Description
CYL5560	20 lb.	Forklift cylinder
CYL5580	33.5 lb.	Forklift cylinder w/fill valve & safety coupling
CYL5595	43.5 lb.	



Aluminum Fork Lift Truck Cylinders

Standard cylinder fitted with liquid service valve, relief valve, float gauge, 20% outage valve. Filler valve and safety coupling installed.

Part #	Size	Description
CYL9315	33.5 lb.	Aluminum forklift cylinder with fill valve and safety coupling
CYL9161	43.5 lb.	



Portable DOT Cylinders

Steel Portable DOT Cylinders

Part #	Size	Description
CYL4.25DOTOPD	4.25 lb.	Cylinder with OPD Valve
CYL5-OPD	5 lb.	
CYL10-OPD-T	10 lb.	Tall Cylinder with OPD Valve
CYL11-OPD-S	11 lb.	"Squatty" Cylinder with OPD Valve
CYL11-OPD-T	11 lb.	Tall Cylinder with OPD Valve
CYL20-OPD	20 lb.	Cylinder with OPD Valve
CYL30-OPD	30 lb.	
CYL40-OPD	40 lb.	
CYL43-2	43 lb.	Cylinder without OPD Valve
CYL50-2	50 lb.	
CYL60-2	60 lb.	
CYL100-5	100 lb.	
CYL100-7	100 lb.	Cylinder with 8555D11.6 Valve
CYL200	200 lb.	DOT Cylinder
CYL420	420 lb.	

Aluminum Portable DOT Cylinders

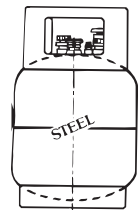
Part #	Size	Description
CYL9060	20 lb.	Cylinder with OPD Valve
CYL9150	30 lb.	
CYL40-A	40 lb.	



Vapor Buffer Cylinders

Standard valves include Vapor Service Valve, Universal Float Gauge, & 10% Valve. For use in applications such as Stand-Up Trucks, Floor Buffers, Scrubbers, & Golf Carts.

Part #	Size	Description
CYL5456	20 lb.	Steel buffer cylinder
CYL9285		Aluminum buffer cylinder



Horizontal & Vapor Buffer Cylinders

Steel Horizontal Cylinders

Includes front & rear mounting bracket.

Part #	Size	Description
CYL30 DOTHOR	30 lb.	Cylinder with OPD Valve & Gauge



Steel ASME Cylinders

Part #	Size	Description	Height	Diameter
CYL100-ASME	100 lb.	ASME Cylinder - 100 lb. Squat	35"	18"
CYL200-ASME	200 lb.	ASME Cylinder - 200 lb.	40"	24"
CYL420-ASME	420 lb.	ASME Cylinder - 420 lb.	52"	30"

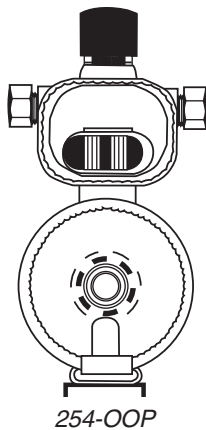


CYL100-ASME CYL200-ASME CYL420-ASME

Cylinders

Marshall Gas Controls Regulators

Part #	Description	Connection	
		Inlet	Outlet
254-00P	Changeover Regulator UL Listed for RV Applications	1/4" Female Inverted Flare	3/8" F.P.T.
294-00P	2-Stage Regulator w/ 9:00 vent, POL w/ excess flow	1/4" F. NPT	3/8" F. NPT
350-00	High Pressure 0-10 psi adjustable Regulator	1/4" F. NPT	1/4" F. NPT



254-00P

Tank Evacuation Fitting

Part #	Description
G-1850	Female 1-5/16" ACME x no thread Evacuation Adapter
ME220FL	1-1/4" LH F. Acme x 1/4" FNPT Quick Closing Vapor Service Motor Fuel Valve (LH Vapor Lawncare Cylinder)
ME220ML	1-1/4" LH M. Acme x 3/8" FNPT Quick Closing Vapor Service Motor Fuel Valve (LH Vapor Lawncare Cylinder)
ME393-1	1-5/16" M. Acme x 1/4" FNPT Adapter



G-1850



ME220FL



ME220ML



ME393-1

Retro-Q Adapter

Converts POL cylinder valves to 1 5/16" ACME.

Part #	Description	Connection
G-1899P	Retro-Q Adapter	MPOL x 1-5/16" ACME



QCC Adapter

Part #	Description	Connection
G-1851	QCC Adapter 35 SCFM/70,000 BTU/HR Max	Female 1-5/16" ACME x 1/4" MPT
G-1851-A03	QCC Adapter 145 SCFM/200,000 BTU/HR Max	Female 1-5/16" ACME x 1/4" MPT



Cylinder Caps & Collars

Part #	Description
CYLCAP-312	3-1/2" for 100 lb.
CYLCOL	Collar Ring for 3-1/2"
CYLCAP-318	3-1/8" for 100 lb.



CYLCAP-312
or
CYLCAP-318

CYLCOL

Lift Truck Cylinder Brackets

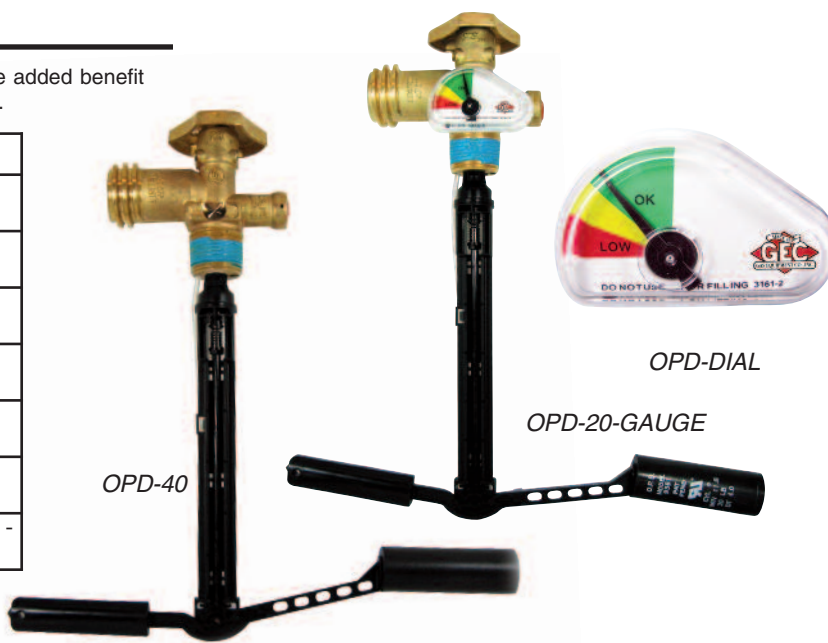
Part #	Description
TB-2	Horizontal 33-1/2 lb. & 43-1/2" lb. bracket
TB-3	Vertical 20 lb. bracket
TB2-60	Toggle latch assembly for TB2
TB-28	Vertical 33-1/2 lb. bracket



OPD Valve Gauge Assembly

Includes all safety features of standard OPD valves with the added benefit of a visual gauge. Designed for installation in DOT cylinders.

Part #	Description
OPD-5	5 lb cylinder OPD valve, 3.0" dip tube
OPD-10	10 lb cylinder OPD valve, 3.6" dip tube
OPD-20-GAUGE	Gauge for 20 lb cylinder OPD valve with dial, 4.0" dip tube
OPD-30-GAUGE	Gauge for 30 lb cylinder OPD valve with dial, 4.7" dip tube
OPD-40	40 lb cylinder OPD valve, 6.4" dip tube
OPD-DIAL	Dial only for the OPD-20-GAUGE and OPD-30-GAUGE
CYL20-OPD-SG	20# steel DOT cylinder with sight gauge - SureFlame



Cylinders

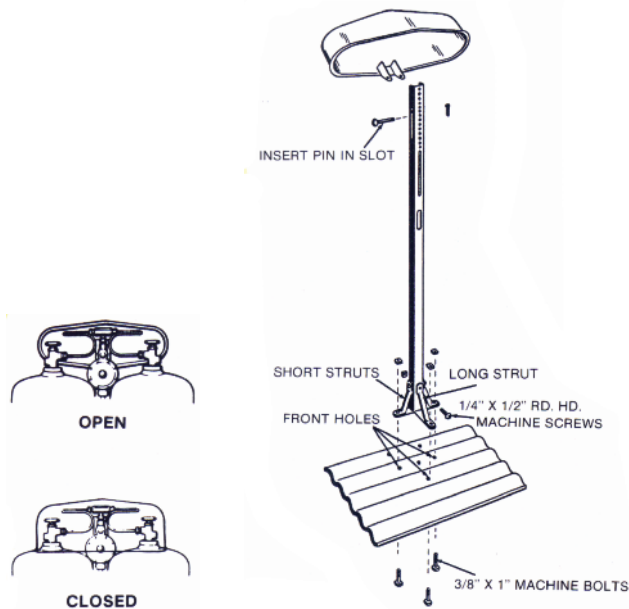
Propane Cylinder Housing

A two cylinder housing for small and medium size regulators. Consists of hood, post, base and necessary fasteners. Assures quick trouble free servicing in all kinds of weather.

Features

- **ALUMINUM HOOD**-PROTECTS your REGULATORS from the weather. Attractive, die-formed, heavy gauge, rust proof aluminum.
- **GALVANIZED BASE**-EXTENDS CYLINDER LIFE. Rainwater drains away from the cylinder to minimize rust. The heavy gauge, corrugated, galvanized steel provides a clean solid footing for the cylinder.
- **GALVANIZED**-reinforced post and foot are EASY TO ASSEMBLE to the base and hood hinge.

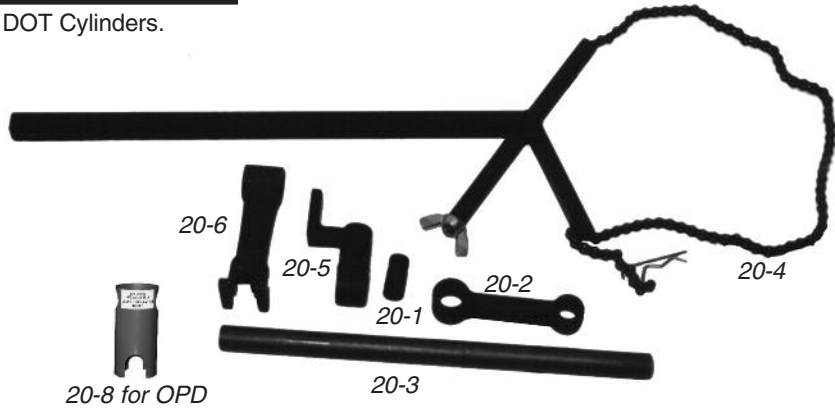
Part #	Description
B-476	Base Only
C-2A-P	Hood & post assembly



Bot-L-Rench

Special tools for removing or installing valves in DOT Cylinders.

Part #	Description
20-1	POL Plug for removing cylinder valves
20-2	Wrench for POL plug to remove cylinder valves
20-3	Handle
20-4	Chain vise assembly
20-5	Plumbers pot valve wrench
20-6	Forklift valve wrench
20-8	Wrench for OPD and QCC cylinder valves



E-Z Stamp Air Hammer Set

Stamps the date clearly as required by DOT regulations. Takes less than 30 seconds to stamp complete date on a cylinder. Dies are $\frac{3}{8}$ " square and print $\frac{1}{4}$ " characters. Requires only 60 psi air pressure for operation.

Set includes Steel Stamp Set 0-9 and letter "E".

Part #	Description
EZ Stamp	Air Hammer Set

Available Separately

Part #	Description
06091	Steel Stamp Set 0-9
"E"	Steel Stamp Letter "E"
V	Steel Stamp Letter "V"



Beam Scales

Portable Beam Scales for Cylinder filling operations. The Fairbanks Portable Beam Scale is constructed to meet all requirements of Handbook 44, issued by the National Institute of Standards & Technology.

Part #	Description	Dimensions	Capacity	Weight
1124	Portable platform scale - single beam	Platform: 17-3/4" x 23-1/2" Base: 21" x 36" Overheight: 43"	1,000 lbs.	165 lbs.



Cylinder Carts

Part #	Description
CD100	Cylinder Cart 20# - 40#
HT7325S	Cylinder Cart 100#
CD505	
HT7-900-4P	Cylinder Cart 200# & 420#



Cylinder Storage Cabinets

- 2 exceptional material & coatings options - Powder Coated Galvanized or Hot-Dipped Galvanized
- Tamper resistant welded frame
- Shelving versatility on certain models. Can be arranged to store either 20# cylinders or 33.5# forklift cylinders.
- Galvanized powder coat models are made from zinc galvanized material, then powder coated.
- HD Galvanized models are hot-dipped after fabrication.
- Tamper resistant lockable door for Puck Lock.
- Leg levelers.
- Loading hooks
- Reinforced hinges.
- Replacement parts available.
- Includes propane sign kit.

Cylinders



FCC-33#-12-YWL



CEC-20#-12

FCC-33#-9-HDG



CEC-20#-18

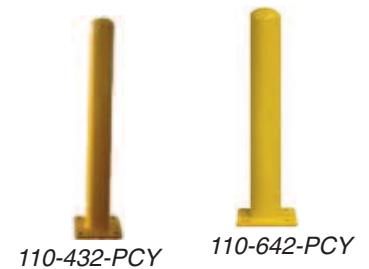
FCC-33#-12-YWL

Material	Part #	Description	H" x W" x D"	Weight
Aluminum	CEC-20#-18Alum	Exchange Cylinder 18 Count for 20# - Aluminum	70" x 44" x 30"	335 lbs.
Galvanized PC White	CEC-20#-18	Exchange Cylinder 18 Count for 20# - White Powder Coat		
		CEC-20#12	Exchange Cylinder 12 Count for 20# - White Powder Coat	53" x 44" x 30"
Galvanized PC Yellow	FCC-33#-12-YWL	Forklift Cylinder 12 Count for 33# - Yellow Powder Coat	70" x 44" x 30"	340 lbs.
Hot Dipped Galvanized	FCC-33#-12-HDG	Forklift Cylinder 12 Count for 33# - Hot Dipped Galvanized		
		FCC-33#-9-HDG	Forklift Cylinder 9 Count for 33# - Hot Dipped Galvanized	53" x 44" x 30"

Bollard Protection

Protective Bollards

Part #	Description	H" x W"	Weight
110-432-PCY	4" x 32 Stop Pole - Powder Coated Yellow with 8" x 8" Base	32" x 4"	30 lbs.
110-436-PCY	4" x 36 Stop Pole - Powder Coated Yellow with 8" x 8" Base	36" x 4"	35 lbs.
110-442-PCY	4" x 42 Stop Pole - Powder Coated Yellow with 8" x 8" Base	42" x 4"	40 lbs.
110-642-PCY	6" x 42 Stop Pole - Powder Coated Yellow with 10" x 10" Base	42" x 6"	50 lbs.



110-432-PCY

110-642-PCY

Post Guard

Post Guard is a protective sleeve that easily fits over posts. It saves time and costs by eliminating constant scraping and repainting. The plastic part contains ultraviolet and anti-static additives that withstand extreme temperatures. Custom colors, symbols and company logos are available.

Part #	Description
452YR	Yellow w/ Red Tape - Post Guard Bollard Cover, 4.5" dia. By 52" Tall
462YR	Yellow w/ Red Tape - Post Guard Bollard Cover, 4.5" dia. By 64" Tall
760YR	Yellow w/ Red Tape - Post Guard Bollard Cover, 7" dia. By 60" Tall
772YR	Yellow w/ Red Tape - Post Guard Bollard Cover, 7" dia. By 72" Tall
872YR	Yellow w/ Red Tape - Post Guard Bollard Cover, 8-7/8" dia. By 72" Tall

