

IMPORTANT INFORMATION: Product must be installed and used in strict conformance with NFPA Pamphlet 58 and/or NFPA Pamphlet 54 and all other codes, regulations and manufacturer recommendations.

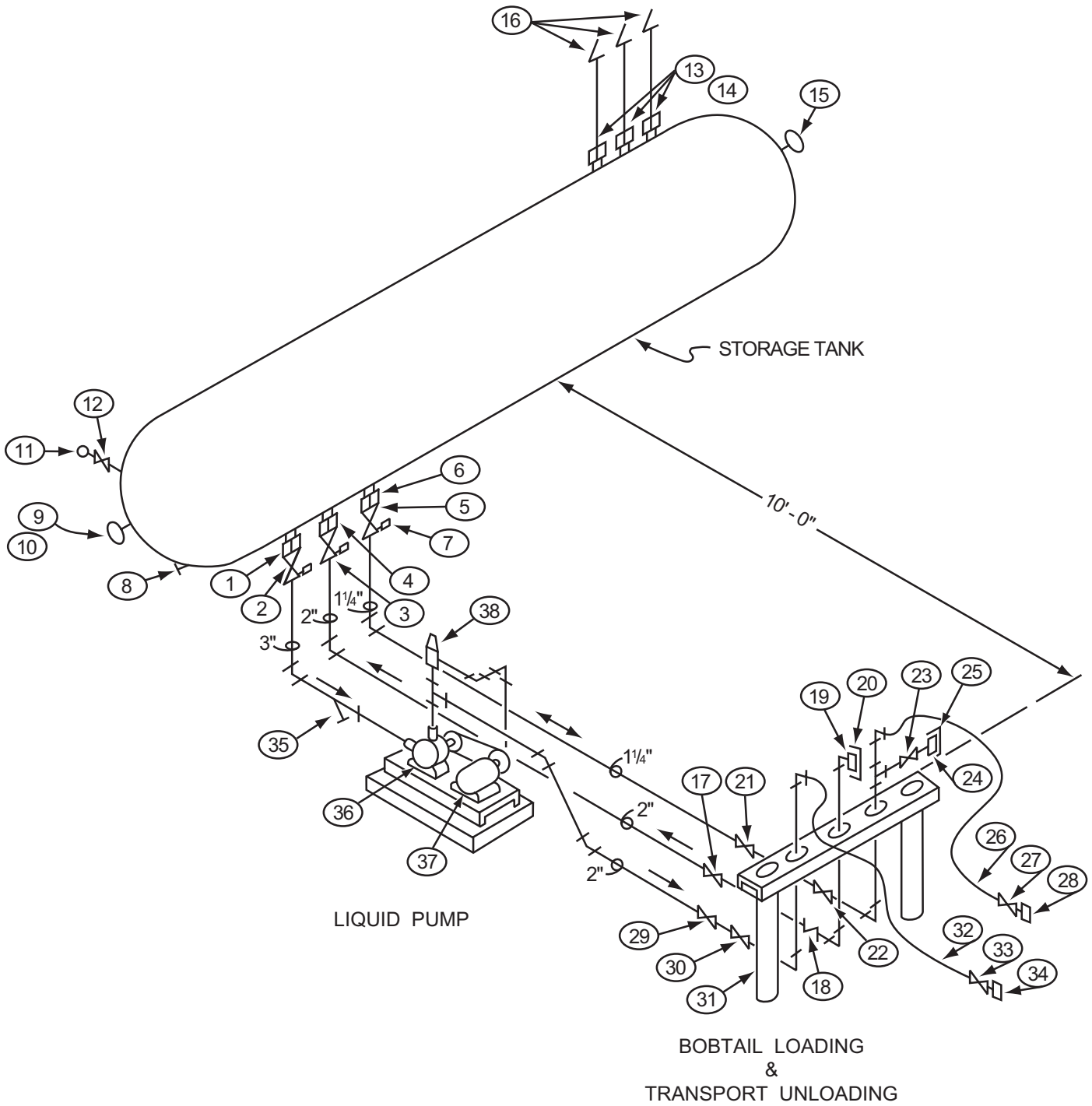
Failure to follow these codes, regulations and recommendations could result in hazardous installation, bodily injury and/or death.

PRODUCT TRAINING SCHOOLS AVAILABLE. Contact a GEC customer service representative for more information.

WARNING: LP Gas is extremely flammable and explosive. Devices used for handling LP Gas and Anhydrous Ammonia must be installed and used in strict conformance with NFPA Pamphlet 58 and 54 and all other codes, regulations and manufacturer recommendations.

Single Stanchion

Bulk Plant



Note:

Beginning with the 2001 edition through the current 2011 edition of NFPA58 requires new container installations (4,000 W.G. or greater) to have Internal Valves for both liquid and vapor service. In addition, all existing internal valves will be required to have remote closures and thermal protection by July 1, 2003.

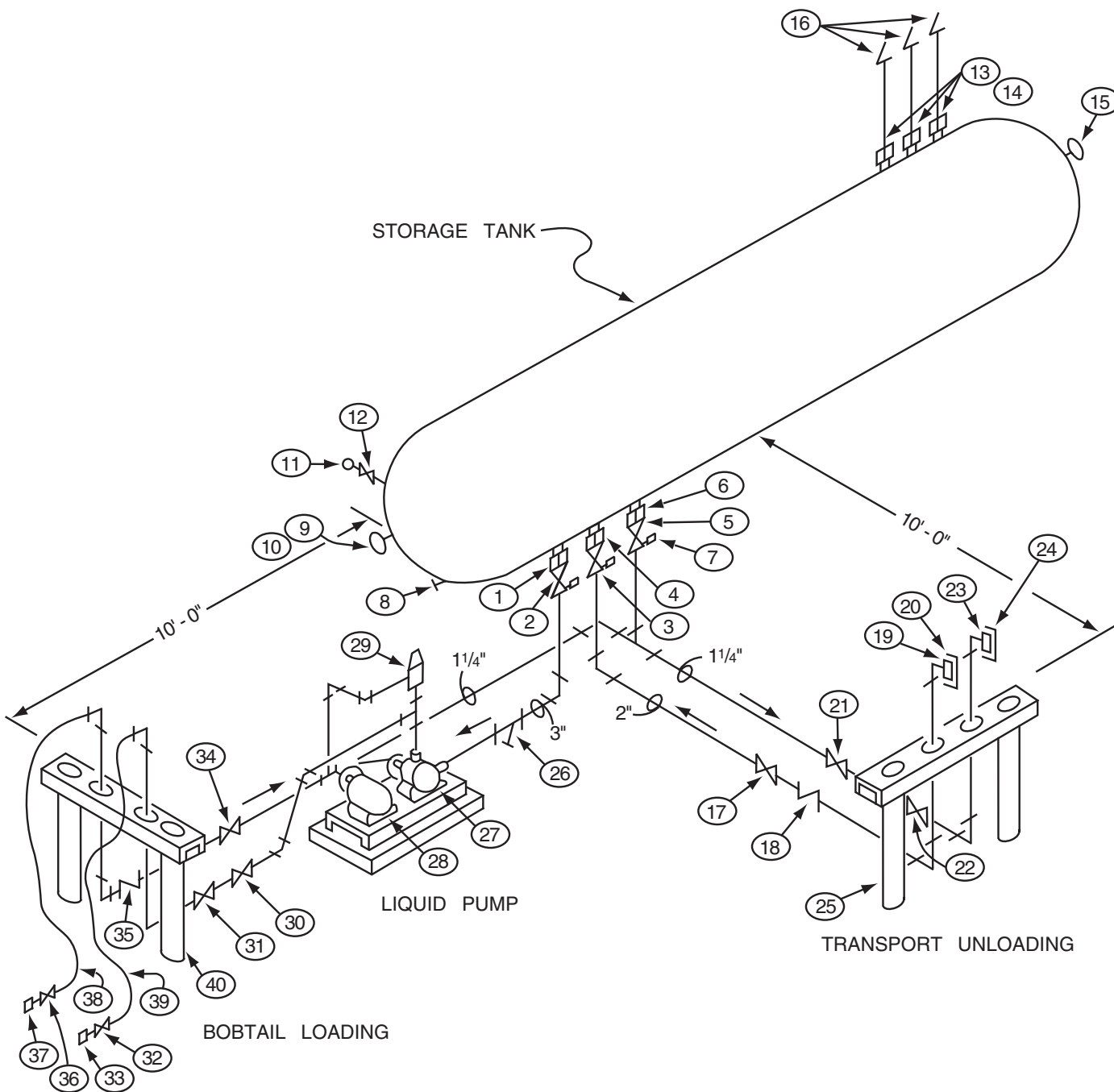
Existing containers without Internal Valves must be retrofitted by July 1, 2011.

Review NFPA58 as well as your state and local requirements.

Single Stanchion

ITEM NO.	DESCRIPTION	QUANTITY
TANK TRIM		
1	A3213 Rego Internal Valve	1
2	A7517AP Rego 3" Globe Valve	
3	A7513AP Rego 2" Globe Valve	
4	A3212 Rego Internal Valve	
5	A7509BP Rego 1 1/4" Globe Valve	
6	A3209 Rego Internal Valve	
7	3127U Rego Hyd. Relief Valve	3
8	1750-00115 Thermometer	1
9	C6342-11-108 Magnetel Gauge	
10	22-29 Flange Mounting Adapter	
11	J5563 0-300 Pressure Gauge	
12	A2805C Rego Combo Valve	3
13	7534G Rego Relief Valves	
14	7534-20 Rego Adapter Pipeaway	
15	A9095RS, A9091-18LX, A9091M Rotogage	1
16	RVS-3 Relief Vent Stacks w/Weather Caps	3
BOBTAIL LOADING & TRANSPORT UPLOADING		
17	A7513AP Rego 2" Globe Valve	1
18	A3186 Rego 2" Back Check Valve	
19	5769H Rego 3 1/4" ACME x 2" Adapter	
20	A3194-90 Rego Cap & Chain	
21	A7509BP Rego 1 1/4" Globe Valve	
22	A7781AF Rego 1 1/2" ESV	
23	A7509BP Rego 1 1/4" Globe Valve	
24	5765F Rego 1 3/4" x 1 1/4" Adapter	
25	3175P Rego Cap & Chain	
26	E20LP2x15FT 1 1/4" Hose w/Couplings	
27	A7509BP Rego 1 1/4" Globe Valve	1
28	3175A Rego Brass Hose Coupling	
29	A7513AP Rego 2" Globe Valve	
30	6016 Rego 2" ESV	
31	Steel Stanchion 2" x 2" 1 1/4"	
32	L3-32LP3x15FT-F Smarthose 2" Hose w/Coupling	15 ft.
33	A7513AP Rego 2" Globe Valve	1
34	A3175 Rego Steel Hose Coupling	
LIQUID PUMP		
35	STYLEC-DI-300 3" Strainer	1
36	3" Pump Unit	
37	10 HP Motor	
38	BV-200 Pump Bypass Valve	

Double Stanchion



Note:

Beginning with the 2001 edition through the current 2011 edition of NFPA58 requires new container installations (4,000 W.G. or greater) to have Internal Valves for both liquid and vapor service. In addition, all existing internal valves will be required to have remote closures and thermal protection by July 1, 2003.

Existing containers without Internal Valves must be retrofitted by July 1, 2011.

Review NFPA58 as well as your state and local requirements.

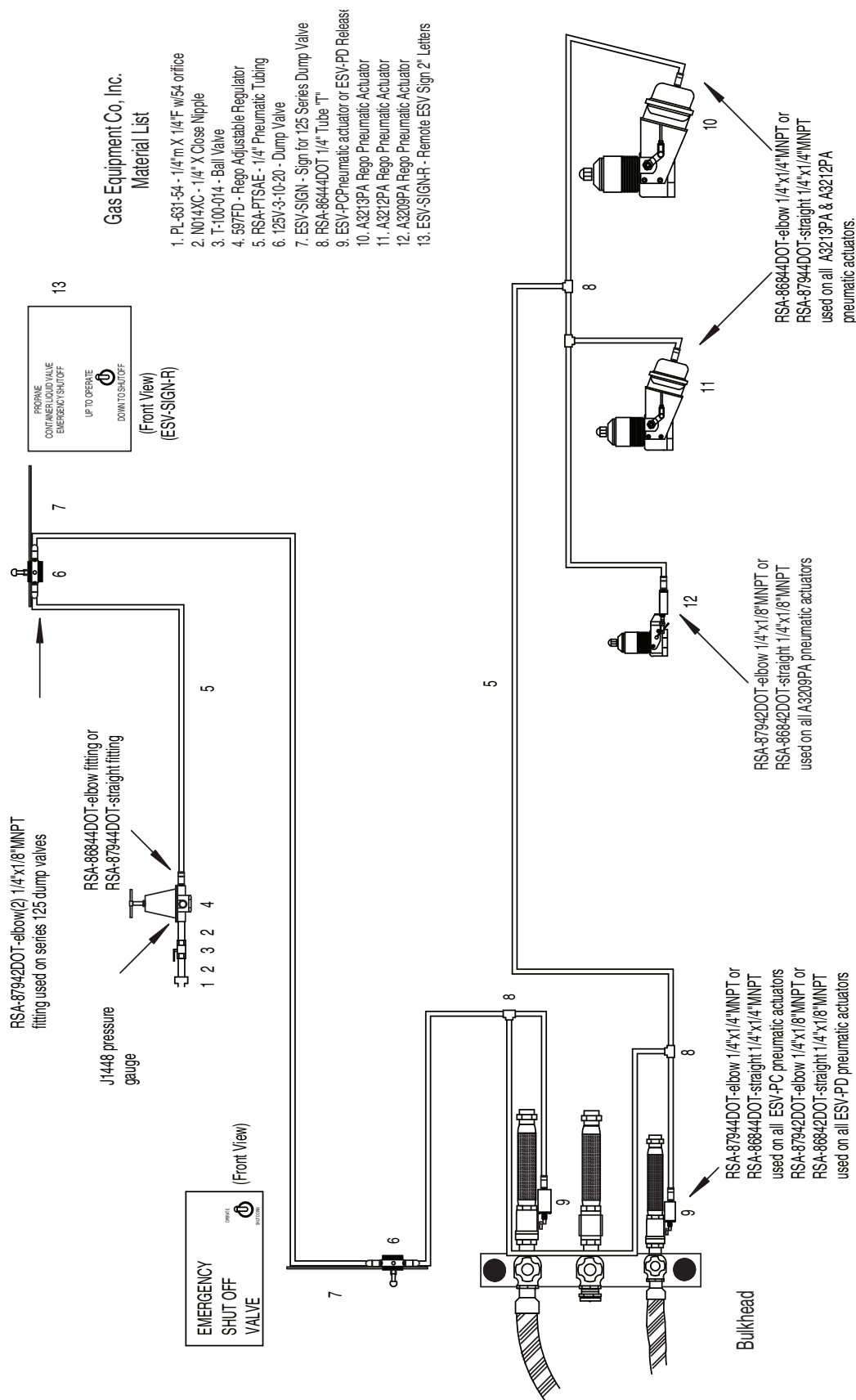
Double Stanchion

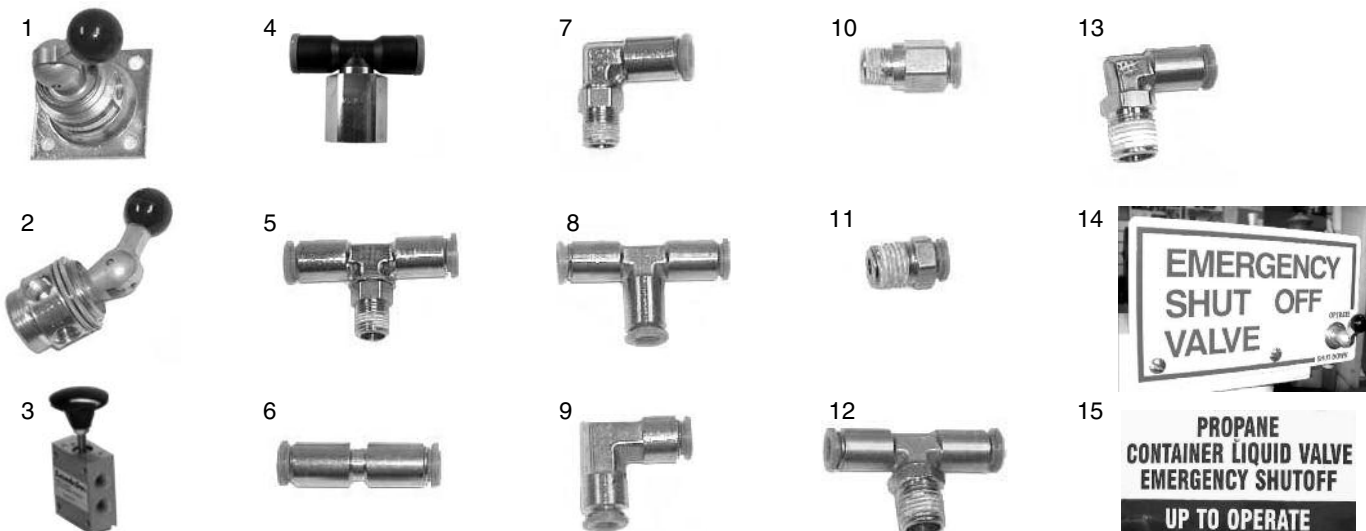
ITEM NO.	DESCRIPTION	QUANTITY
TANK TRIM		
1	A3213 Rego Internal Valve	1
2	A7517AP Rego 3" Globe Valve	
3	A7513AP Rego 2" Globe Valve	
4	A3212 Rego Internal Valve	
5	A7509BP Rego 1 1/4" Globe Valve	
6	A3209 Rego Internal Valve	
7	3127U Rego Hyd. Relief Valve	3
8	1750-00115 Thermometer	1
9	C6342-11-108 Magnetel Gauge	
10	22-29 Flange Mounting Adapter	
11	J5563 0-300 Pressure Gauge	
12	A2805C Rego Combo Valve	
13	7534G Rego Relief Valves	3
14	7534-20 Rego Adapter Pipeaway	
15	A9095RS, A9091-18LX, A9091M Rotogage	1
16	11011 3" Weather Caps	3
BOBTAIL LOADING & TRANSPORT UPLOADING		
17	A7513AP Rego 2" Globe Valve	1
18	A3186 Rego 2" Back Check Valve	
19	5769H Rego 3 1/4" ACME x 2" Adapter	
20	3194-90 Rego Brass Cap	
21	A7509BP Rego 1 1/4" Globe Valve	
22	A7781AF Rego 1 1/4" ESV	
23	5765F Rego 1 3/4" x 1 1/4" Adapter	
24	3174-93 Rego Cap & Chain	
25	BH-10CV2-2CPLG 2 Port Vertical Bulk Head w/2" 3M Full Couplings	
LIQUID PUMP		
26	STYLEC-DI-300 3" Strainer	1
27	3" Pump Unit	
28	10 HP Motor	
29	BV-200 Pump Bypass Valve	
BOBTAIL LOADING		
30	A7513AP Rego 2" Globe Valve	1
31	6016 Rego 2" ESV	
32	A7513AP Rego 2" Globe Valve	
33	3195 Hose Coupling	
34	A7509BP Rego 1 1/4" Globe Valve	
35	A7781AF Rego 1 1/4" ESV	
36	A7509BP Rego 1 1/4" Globe Valve	
37	3174-93 Rego Cap & Chain	
38	E20LP2x15FT 1 1/4" Hose w/Couplings	15 ft.
39	L3-32LP3x15FT-F Smarthose 2" Hose w/Coupling	
40	BH-10CV2-2CPLG 2 Port Vertical Bulk Head w/2" 3M Full Couplings	1

Bult Plant Pneumatic Layout

(utilizing LPG Vapor where otherwise substitute LPG Regulator for Inert Gas Option)

Bulk Plant





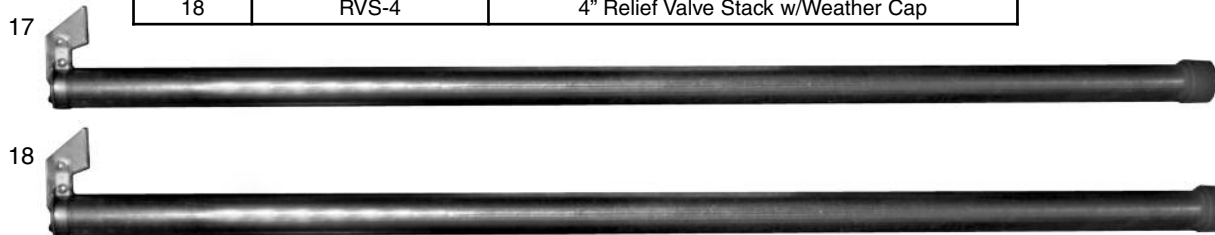
Part I.D.	Part No.	Description
1	125V-3-10-21	Discharge Valve with Base
2	125V-3-10-20	Pneumatic Toggle Valve, 3-way, with Locknut
3	RSA-M3820602	Lexair 3-way actuated valve
4	RSA-57444DOT	1/4" Tube x 1/4" Tube x 1/4" Female NPT Tee
5	RSA-87242DOT	1/4" Tube x 1/4" Tube x 1/8" NPT Tee
6	RSA-86244DOT	1/4" Tube Union
7	RSA-87942DOT	1/4" Tube x 1/8" NPT Swivel Elbow
8	RSA-86444DOT	1/4" Tubing Tee
9	RSA-86544DOT	1/4" x 1/4" Tube Elbow
10	RSA-86842DOT	1/4" Tube x 1/8" NPT Straight
11	RSA-86844DOT	1/4" Tube x 1/4" NPT Straight
12	RSA-87244DOT	1/4" Tube x 1/4" Tube x 1/4" NPT Tee
13	RSA-87944DOT	1/4" Tube x 1/4" NPT Swivel Elbow
14	ESV-SIGN	Aluminum "Emergency Shutoff Valve" Sign 5-1/2" x 9-1/2" Red on White (valve not included)
15	ESV-SIGN-R	Metal "Emergency Shutoff Valve" Sign 29" x 15-1/2" Red on White (valve not included)
16	RSA-PTSAE	1/4" Pneumatic Tube 100 ft Roll
17	RVS-3	3" Relief Valve Stack w/Weather Cap
18	RVS-4	4" Relief Valve Stack w/Weather Cap



16



15



17

18

SQE Super Quick Exhaust Valve

The universal design of this valve allows it to be used as a SUPER QUICK EXHAUST VALVE or a SHUTTLE VALVE. With the molded shuttle design, the Super Quick Exhaust valves have an operating range as low as 1 psi to 150 psi.

Model	Port Size		
	IN	OUT	EXH
SQE1	1/8"	1/8"	1/4"
SQE2	1/4"	1/4"	1/4"



SQE: NFPA limits the pneumatic supply line size to a maximum of 3/8" OD. To reduce closing time of internal valves and ESV's, a SQE valve can be installed in lengthy tubing runs to reduce the closure times.

Specifications

Media: Compressed Air (Consult factory for others)
 Operating Speeds: Up to 600 CPM
 Materials: Zinc & Aluminum Die Cast, Zinc Plated Steel Fasteners, Buna N, Polyurethane
 Temperature Range: -25°F to 180°F (-31.7°C to 82.2°C)
 Lubrication: Not Required

SHUTTLE VALVE: The shuttle valve can provide for control of internal valves with individual bulkhead ESV's control from multiple bulkhead control station locations without hindering other operators.

For protection of piping systems against truck pull-away with hose still connected. These bulkheads are made of 10" channel. When anchored in a concrete block (approximately 4 ft. x 4 ft. x 4 ft.) the bulkhead becomes a sound wall of protection against most pull-aways.

Bulkhead Stanchions

Safety Stanchions are designed for safe transfer of propane at the bobtail loading and transport unloading points in a bulk plant. The stanchion is Rigid All-Steel construction.

Part #	Description
BH-10CV2-2CPLG	2-Port Vertical Bulk Head w/2" 3M Full Couplings
BH-10CV2-3CPLG	2-Port Vertical Bulk Head w/3" 3M Full Couplings
BH-10CV3-2CPLG	3-Port Vertical Bulk Head w/2" 3M Full Couplings
BH-10CV3-3CPLG	3-Port Vertical Bulk Head w/3" 3M Full Couplings

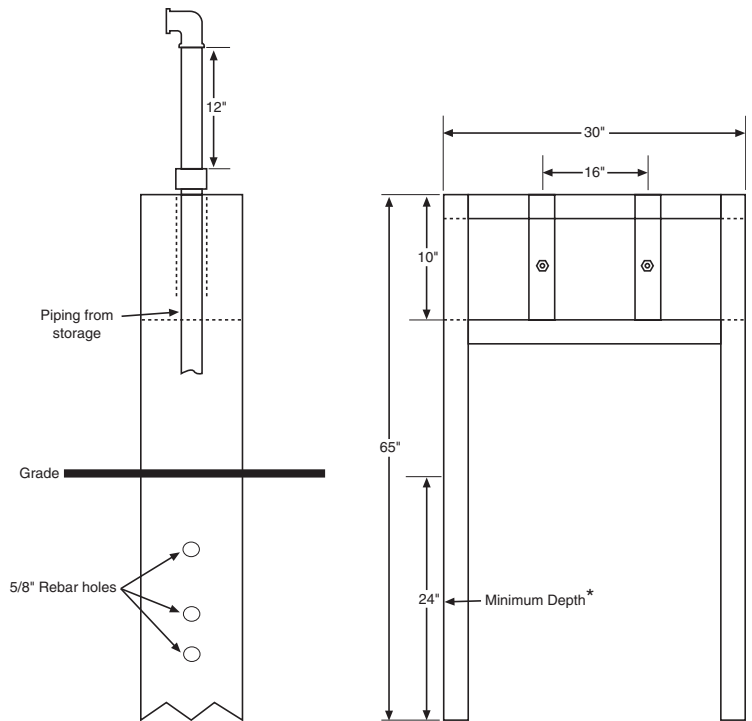
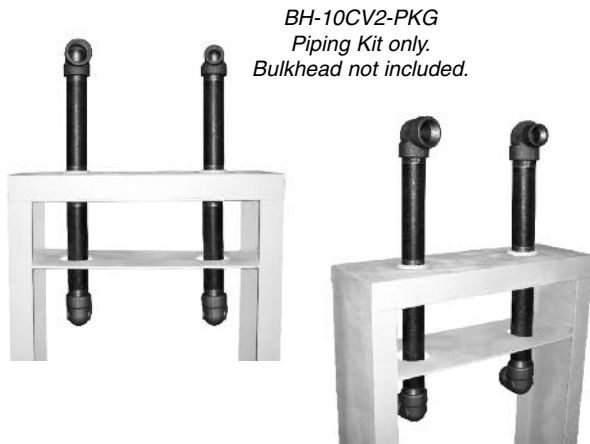


BH-10CV2-2CPLG

BH-10CV2-PKG

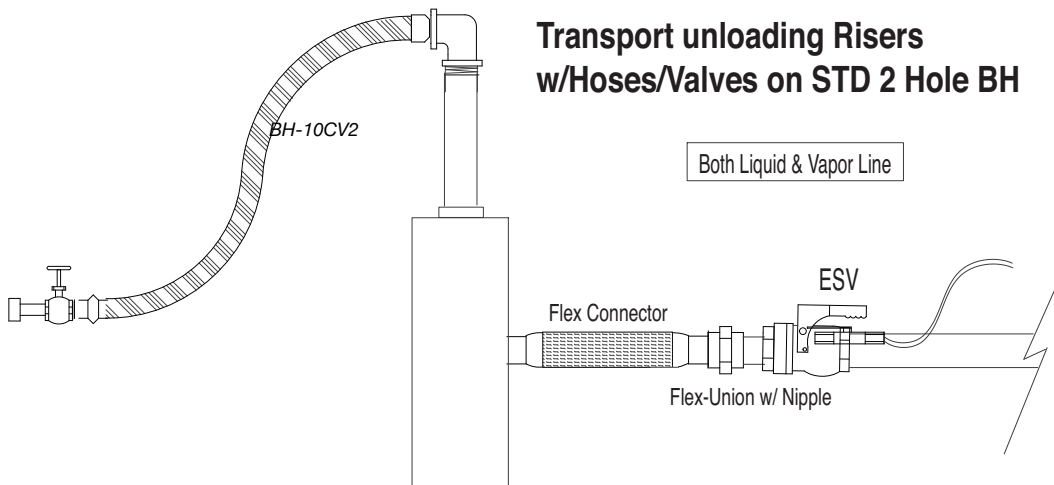
Part #	QTY
EL90-200-2M	2
N-200X12	
REL90-200X114	
N-200X12	

NOTE: Piping kit for BH-10CV2-2CPLG bulkhead only.



*Check with local codes for proper above grade height.
Bulkheads shall be anchored in reinforced concrete to prevent displacement of the bulkhead.
Reinforcement rod not supplied.

Transport unloading Risers w/Hoses/Valves on STD 2 Hole BH



Red Dragon Manual Propane Flare

The RED DRAGON Manual Propane Flare allows you to evacuate bulk tanks, bobtails and other tanks any where quickly, safely and without venting raw propane into the atmosphere. This compact, durable unit is quick to set up, very simple to use and requires no electricity making it perfect for emergency crews, haz mat teams and fire departments who need to act fast and in remote locations. Keep one on hand in case emergency flare-off is necessary. Also great for propane distributors and dealers flaring off tanks so that valves and gauges may be changed out, saving you time and money. Comes with everything necessary except the vapor cylinder for pilot torch operation.

Part #	Description	Wt. Each	Std. Qty.
FE-PFM-16LPS	1/2" Manual Flare	96 lbs.	1
FE-PFM-ACCESSORY KIT	Adapters, Hoses, Fitting Kit for Alternate Connections to Tanks & Hose Extension	-	-

FEATURES OF ALL MANUAL FLARES

- Flares liquid or vapor propane
- Telescoping flare tower sets up fast & stands 9' above the ground keeping the flame at a safe distance
- Convenient valve box & simple design featuring quick connectors & flared fittings make set up quick & easy
- 25' U.L. listed evacuation hose with bulk adaptor
- 10' U.L. listed pilot hose & regulator
- Stable triangular base & ground stakes for set up on any terrain
- Quick, easy setup & operation

FLARE SPECIFICATIONS:

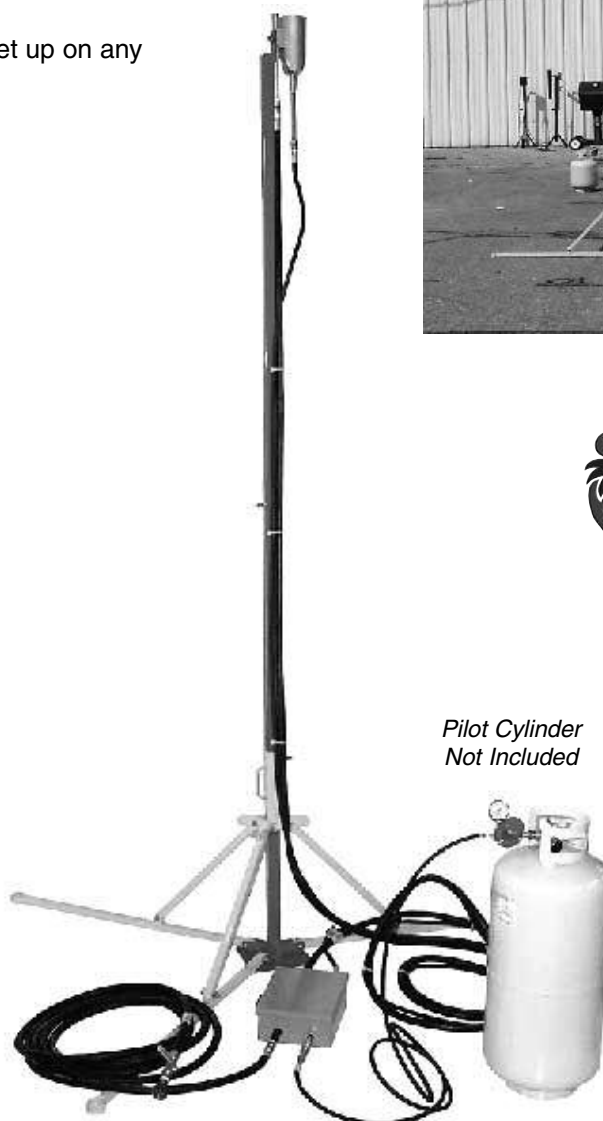
1/2" Flare

48,300,000 BTU/hr Max

Flares up to 529 gal/hr



All components fit neatly into a durable carry bag. The valve box features quick connections and flared fittings making set up fast & easy.



Pilot Cylinder Not Included



