

IMPORTANT INFORMATION: Product must be installed and used in strict conformance with NFPA Pamphlet 58 and/or NFPA Pamphlet 54 and all other codes, regulations and manufacturer recommendations.

Failure to follow these codes, regulations and recommendations could result in hazardous installation, bodily injury and/or death.

PRODUCT TRAINING SCHOOLS AVAILABLE. Contact a GEC customer service representative for more information.

WARNING: LP Gas is extremely flammable and explosive. Devices used for handling LP Gas and Anhydrous Ammonia must be installed and used in strict conformance with NFPA Pamphlet 58 and 54 and all other codes, regulations and manufacturer recommendations.

Electric 60 Hz. Explosion Proof Motors

Single Phase - Rigid Base Mount

Part #	HP	RPM	Nema Frame	Amperes 230V	Shaft Size
2HP-1PH-EH	2	1725	182T	11.0	1-1/8"
2HP-1PH-ECD*			182TC		
3HP-1PH-ED	3		215	15.0	
5HP-1PH-EH	5			21.0	

* Also C-Face



Rigid Base Mount



C-Face/Rigid Base Mount

Motors, Starters, & Switches

Single Phase - C-Face

Part #	HP	RPM	Nema Frame	Amperes 230V	Shaft Size
1HP-1PH-ED	1	1725	56C	6.2	5/8"
1.5HP-1PH-ED	1.5			8.0	
2HP-1PH-ECD*	2		182TC	11.0	1-1/8"
2HP-1PH-ECH			184C		7/8"

* Also Rigid Base Mount



C-Face

Three Phase - Rigid Base

Part #	HP	RPM	Nema Frame	Amperes 230V	Shaft Size
1.5HP-3PH-ED	1.5	1800	145T	5.0	7/8"
2HP-3PH-ED	2			6.2	
3HP-3PH-ED	3		182T	8.6	1-1/8"
5HP-3PH-ED	5		184T	13.0	
7.5HP-3PH-ED	7.5		213T	21.0	1-3/8"
10HP-3PH-ED	10		215T	26.0	
15HP-3PH-ED	15		254T	38.0	1-5/8"
20HP-3PH-ED	20		256T	50.0	
25HP-3PH-ED	25		284T	60.0	1-7/8"
30HP-3PH-ED	30		286T	72.0	

All models either UL listed for hazardous locations Class I Group D, Class II Groups E, F and/or CSA certified.



5 HP EXP Motor

NOTE: Other motors used with Corken Pumps can be reviewed on Page 141 & 142.

Magnetic Starters

Designed for full voltage remote starting of electric motors. All starters include a reset pushbutton and thermal overload protection with ambient compensation and phase loss protection.

Manual Starters

Designed for local control with a START/STOP push button switch in the cover. Thermal overload protection is provided.

Phase Converters

Gas Equipment's line of static phase converters offer an economical solution when three-phase power can not be provided or is cost prohibitive to obtain. Made in the U.S.A., these phase converters will provide years of trouble-free service while allowing pumps to be turned at rated speed. All converters come with a two-year limited warranty.



OPEN TYPE Starter



NEMA 3&4, NEMA 7 & 9
Class I Group C & D
Class II Group E, F & G



Phase Converter
N4CD



Disconnect

Motors, Starters,
& Switches

Motor HP	Manual Starter		Magnetic Starter		Phase Converter 230 Volt (NEMA4)	Disconnect		
	230 Volt (Explosion Proof)	480 Volt (Explosion Proof)	230 Volt (NEMA4)	480 Volt (NEMA4)		230 Volt (NEMA3)	480 Volt (NEMA3)	
2	EXCTK22-5-8	-	N4CTK22-5-8	-	N4CD12	GENLTG4221R15	-	
3	EXCTK22-7-10		N4CTK22-7-10		N4CD14			
5	EXCTK22-12-18		N4CTK22-12-18		N4CD15			GENLTG4221R30
7.5	EXCTK40-18-26		N4CTK40-18-26		N4CD16			GENLTG4222R40
10	EXCTK40-24-36		N4CTK40-24-36		N4CD17	GENLTG4222R60		
15	EXCTK85-34-50		N4CTK85-34-50		N4CD18	GENLTG4223R80		
20	EXCTK85-45-65	EXCTK40480-24-36	N4CTK85-45-65	N4CTK40480-24-36	N4CD18	GENLTG4222R60	GENTH3361R30	
25	EXCTK85-54-75	EXCTK40480-28-40	N4CTK85-54-75	N4CTK40480-28-40	N4CD19	GENLTG4223R80	GENTH3361R40	
30	EXCTK85-63-85	EXCTK85480-34-50	N4CTK85-63-85	N4CTK85480-34-50	N4CD19			

Use switch 929980 with magnetic starters.

Phase converters convert single phase to three phase.

Call for phase converter/starter packages

Explosion Proof Switch Box & Switch

Part #	Description	Commonly Used With
929980	Manual Switch Box & Switch	1-1/2 HP Single Phase 1725 RPM Motor (Blackmer LGF1 Series Pump or 2 HP Circuit Switch)
929980SWI	Internal Switch (Only)	
2277-X1-28	Motor Mounted Manual Switch Box & Switch w/ P28 heater element	3/4 HP Single Phase 3450 RPM Motor
2277-X2-28	Wall Mounted Manual Switch Box & Switch w/ P28 heater element	
2277-X1-32	Motor Mounted Manual Switch Box & Switch w/ P32 heater element	1 HP Single Phase 3450 RPM Motor
2277-X2-32	Wall Mounted Manual Switch Box & Switch w/ P32 heater element	
600-TOX5	Internal Switch (Only)	Corken Pump
2277-X	Cover & Toggle for Switch Box	Corken Pump
2277	Cover (only) for Switch Box	Corken Pump
P28	Heater Element for 3/4 HP Motor	Corken Pump
P32	Heater Element for 1 HP Motor	Corken Pump



929980

Manual Switches & Shaft Couplings

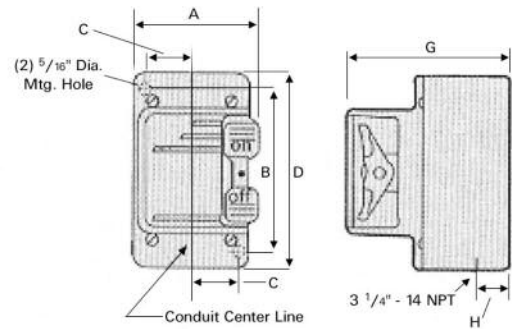
Manual Switches

Designed for ON/OFF switching of electric motors when overload protection is not required.

2 Pole Device is Rated at 2HP-115V, 2HP-230V, 3HP-460V
 3 Pole Device is Rated at 2HP-115V, 7.5HP-230V, 10HP-460V

NEMA Type 7 and 9 Cast Aluminum Enclosure

Part #	Description
MMSKR1	2 Pole Device
MMSKR2	3 pole Device



Dimensions in inches {mm}					
A	B	C	D	G	H
4.00 {101}	5.75 {145}	1.35 {35}	6.35 {161}	4.38 {111}	1.20 {30}

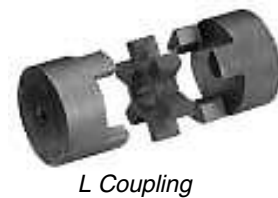
Device	Class	Type
Fractional FP Starter	SMF	FR1, FR2
Motor Starting Switch	MMS	KR1, KR2

L-Type Shaft Couplings

These couplings offer standard shaft-to-shaft connection for general industrial duty applications. Standard L-Type coupling hub materials are sintered iron. Sizes range from L035 to L276. These couplings require no lubrication and provide highly reliable service for light, medium, and heavy duty electrical motor and power transmission applications.

Half Couplings

Size	Part #	Bore/Shaft Size	Keyway Dimension W X D	
L090	L-090-625	$\frac{5}{8}$ "	$\frac{3}{16}$ "	$\frac{3}{32}$ "
	L-090-6875	$\frac{11}{16}$ "		
	L-090-875	$\frac{7}{8}$ "		
L095	L-095-750	$\frac{3}{4}$ "	$\frac{1}{4}$ "	$\frac{1}{8}$ "
	L-095-875	$\frac{7}{8}$ "		
	L-095-1.00	1"		
	L-095-1.125	$1 \frac{1}{8}$ "		
L099	L-099-625	$\frac{5}{8}$ "	$\frac{3}{16}$ "	$\frac{3}{32}$ "
	L-099-750	$\frac{3}{4}$ "		
	L-099-875	$\frac{7}{8}$ "		
	L-099-1.125	$1 \frac{1}{8}$ "		
L100	L-100-1.00	1"	$\frac{1}{4}$ "	$\frac{1}{8}$ "
	L-100-1.25	$1 \frac{1}{4}$ "		



Coupling Spiders

Part #
L-095-SPIDER
L-100-SPIDER
L-110-SPIDER
L-115-SPIDER

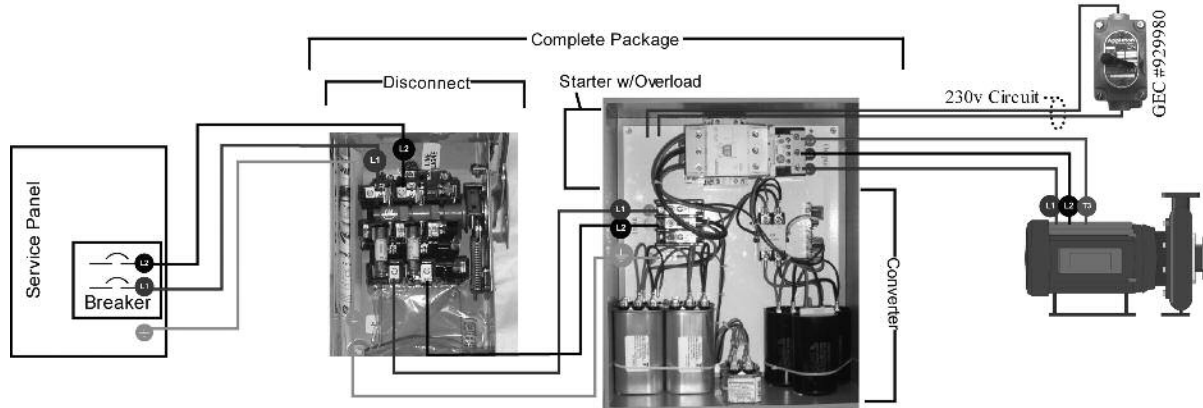


L Coupling Spider

Phase Converter Packages - Non-Explosion Proof - For mounting in Non Class Area.

Three Phase Converter Package includes: Phase Converter, Magnetic Starter with thermal overloads and Fusible Disconnect with fuses.

Ordering instructions: Find the pump horsepower in the left column then follow the size across and find either the component part number or the complete package model if you want the entire package.



Phase Converter Packages for Blackmer/Corken VANE PUMPS

When using vane pumps and three phase power is not available, it is more economical to operate the 3 phase pump motor on Static Converters.

Pump HP	Static Starter	Magnetic Starter**	Single Phase Disconnects Nema 3R		Complete Package	Wire Size <50 ft***	Service Amps	Breaker Amps
	Converter Model*	Magnetic Starter w/ Thermal Overloads*	Disconnect Models with Fuses	Amps	Package Model			
2	N4CD12	CTK40-12-18	GENLTG3221R15	15	N12-12-18-R15	12	20	20
3	N4CD14	CTK40-16-22	GENLTG3221R30	30	N14-16-22R30	10	30	30
5		CTK85-24-36			N14-24-36-R30	8	40	
7.5	N4CD15	CTK85-28-40	GENLTG3222R40	40	N15-28-40-R30	6	60	40
10	N4CD16	CTK85-34-50			N16-34-50-R40	4	80	50
15	N4CD17	CTK85-54-75	GENLTG3222R60	60	N17-54-75-R60	4	100	80
20	N4CD18	CTK100-65-100	GENLTG3223R80	80	N18-65-100-R80	3		100
25		CTK150-85-125	GENLTG3223R100	100	N18-85-125-R100	2	125	125
30	N4CD19	CTK150-100-150	GENLTG3224R125	125	N19-100-150-R125	1	150	150

* Converter and Magnetic Starter with thermal overloads are in the same Nema 4 box.

** Magnetic Starter installed with standard 230V coil.

*** Call for wire sizes greater than 50 feet.

Phase Converter Packages for Blackmer/Corken COMPRESSORS

When using these compressors and three phase power is not available, it is more economical to operate the 3 phase compressor on Static Converters.

For increased horsepower, the compressor motor needs to be increased by approximately 30%. See the guide below. Purchase the larger motor for the pump needed and select the proper converter.

Pump HP	Increased HP	Static Starter	Magnetic Starter**	Single Phase Disconnects Nema 3R		Complete Package	Wire Size <50 ft***	Service Amps	Breaker Amps
		Converter Model*	Magnetic Starter w/ Thermal Overloads*	Disconnect Models with Fuses	Amps	Package Model			
5	7.5	N4CD15	CTK85-28-40	GENLTG3221R30	30	N15-28-40-R30	6	60	40
7.5	10	N4CD16	CTK85-34-50	GENLTG3222R40	40	N16-34-50-R40	4	80	50
10	15	N4CD17	CTK85-54-75	GENLTG3222R60	60	N17-54-75-R60	4	100	80
15	20	N4CD18	CTK100-65-100	GENLTG3223R80	80	N18-65-100-R80	3	100	100
20	25	N4CD18	CTK150-85-125	GENLTG3223R100	100	N18-85-125-R100	2	125	130
25	30	N4CD19	CTK150-100-150	GENLTG3224R125	125	N19-100-150-R125	1	150	150
30	50	N4CD21	CTK220-160-240	GENLTG3224R175	175	N21-160-240-R175	1/0	220	200

* Converter and Magnetic Starter with thermal overloads are in the same Nema 4 box.

** Magnetic Starter installed with standard 230V coil.

*** Call for wire sizes greater than 50 feet.

3-Phase Motor Starters, Disconnects, & Fuses

3 Phase Motor Starters

NEMA 4

Magnetic Motor Starter with thermal overloads without push button On/Off switch Nema 4

Horsepower Motor	Model Number*
2 HP	N4CTK22-5-8
3 HP	N4CTK22-7-10
5 HP	N4CTK22-12-18
7.5 HP	N4CTK40-18-26
10 HP	N4CTK40-24-36
15 HP	N4CTK85-34-50
20 HP	N4CTK85-45-65
20 HP 480 VOLT	N4CTK40480-24-36
25 HP	N4CTK85-54-74
25 HP 480 VOLT	N4CTK40480-28-40
30 HP	N4CTK85-63-85
30 HP 480 VOLT	N4CTK85480-34-50

*Use GEC Part # 929980 Switch with above Starters

EXPLOSION PROOF

Magnetic Motor Starter with thermal overloads without push button On/Off switch - EXPLOSION PROOF

Horsepower Motor	Model Number
2 HP	EXCTK22-5-8
3 HP	EXCTK22-7-10
5 HP	EXCTK22-12-18
7.5 HP	EXCTK40-18-26
10 HP	EXCTK40-24-36
15 HP	EXCTK85-34-50
20 HP	EXCTK85-45-65
20 HP 480 VOLT	EXCTK40480-24-36
25 HP	EXCTK85-54-74
25 HP 480 VOLT	EXCTK40480-28-40
30 HP	EXCTK85-63-85
30 HP 480 VOLT	EXCTK85480-34-50

3 Phase Disconnects & Fuses

Disconnects

3-Phase 220 & 460 Volt Disconnects Nema 3 (includes 3 fuses)

Pump Horsepower	Model Number	Amps
1.5 - 2 - 3 - 5 HP	GENLTG4221R15	15
7.5 - 10 HP	GENLTG4221R30	30
15 HP	GENLTG4222R40	40
20 HP	GENLTG4222R60	60
25 - 30 HP	GENLTG4223R80	80
20 - 25 HP 460/480 Volt	GENTH3361R30	30
30 HP 460/480 Volt	GENTH3361R40	40

Class RK5 Fuses

Replacement fuses made of fiberglass body with easy to read imprint label for quick recognition and replacement.

Amps / HP	Model Number
15 / 1.5 - 5	FERRTR15R
30 / 7.5 - 10	FERRTR30R
40 / 15	FERRTR40R
60 / 20	FERRTR60R
80 / 25-30	FERRTR80R
30 / 20 - 25 — 480 VOLT	FERRTRS30R
40 / 30 — 480 VOLT	FERRTRS40R

